

MO-RLB8183

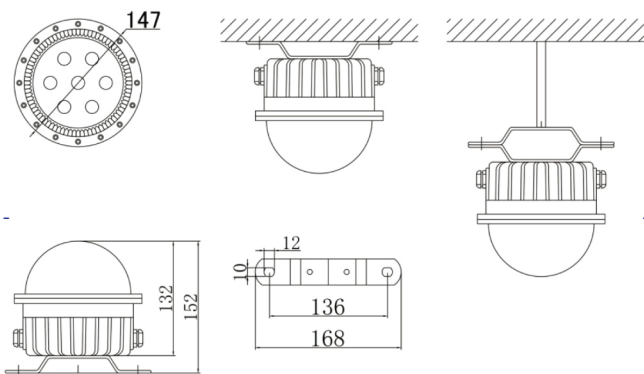
LED Explosion-proof
Low-ceiling Light



Applicable light source

Order No.	Type of light source	Rated power (W)	Luminous flux (lm)	Average lifespan (h)
RLB8183	LED	10w	860	50000
RLB8183	LED	20w	1850	50000

Installation diagram



Technical parameters

Rated voltage: AC /DC 220V 50Hz
Housing protection: IP65
Anti-corrosion grade: WF2
Color temperature: 5,500-6,000K
Inlet thread: G1/2
Lead-in cable: $\Phi 8-\Phi 12$ mm
External dimension: $\Phi 147 \times 152$ mm
Total weight: 1.5kg
Explosion-proof sign: Exd IIC T6 Gb / Ext DA21 Ip65 T80°C

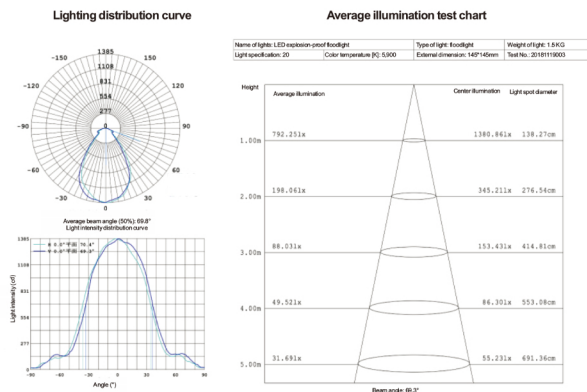
Applicable place

- ◆ Applicable for flammable and explosive sites in relation to petroleum, chemical, shipping, etc.
- ◆ Applicable as fixed lighting for cable trenches, underground passage, tunnels, workshops, corridors, passage, transfer stations, combination stations, cabin, etc.

Performance features

- ◆ IIC explosion-proof grade enables it to operate safely in flammable and explosive places.
- ◆ 4th generation green technology, large-power white LED solid-state light source, high lighting effect, lifespan up to 50,000h, long-turn maintenance free.
- ◆ Low energy consumption, with the power consumption as low as 20% of filament lamps with the same luminous flux.
- ◆ Soft lighting without dazzle, not causing fatigue to the eyes of the operators, improving work efficiency.
- ◆ The housing is made by aluminum alloy die casting process and treated with high-tech spraying, which is anti-abrasive, anti-corrosive, waterproof and dustproof.
- ◆ The transparent parts are made from imported polycarbonate pc, featured with high light transmittance and good shock resistance, and are able to operate in various harsh environments.
- ◆ Ceiling-mounted, indirect cable introduction, ease of installation and wiring.

Photoelectric parameters



Notes: The photoelectric parameters are authentic data represented by the RLB 81 83 light of power 20W, for reference only.